

Assembly & Care Guide

Tense Pendant

The Tense Pendant is carefully made and therefore every item is unique. It may occur different expression in the material and surface, with smaller marks and minor deviations.

SAFETY INSTRUCTIONS

Please read the instructions carefully and retain it for future reference. **New Works Aps** is not responsible for any faults or damages caused by not following the instructions correctly.

Turn off electricity at main circuit breaker panel before beginning the installation. Installation is to be carried out only by a qualified electrician. Warning all wires are connected - when unpacking the box, be careful not to pull wires, as this may result in a bad connection.

This lamp must be permanently wired into the electric system. Different ceiling materials require different types of fittings. Always choose screws and plugs that are specially suited to the ceiling material.

The lamp is only intended for indoor use, consult a professionally qualified electrician if any doubt.

Follow the guidance **220-240V~ 50/60Hz - Built in LED 22W.**

The light source and lamp exterior may get hot after prolonged use.

Do not subject the lamp to any shock while lit as this may cause the lamp to brake.

Keep the product out of children's reach. Dispose the packaging and do not allow children to play with it. Do not modify the product in any way.

CLEANING

Turn off the electricity before cleaning the lamp. Wipe the lamp shade with a soft dry or moist cloth. Do not use any abrasive cleaning tools, and never use strong cleaning agents such as household glass cleaner, white spirit or turpentine.

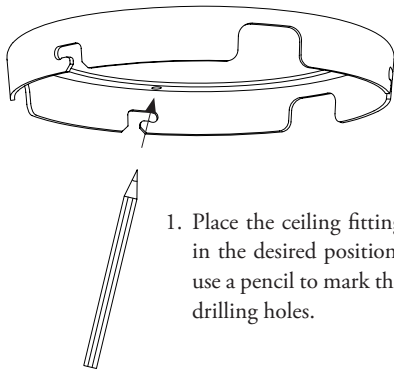
MORE INFORMATION

For more information such as product overview, material description and disclaimers - please visit our website at **www.newworks.dk** for further information. If you have any questions or comments, please do not hesitate to contact us at **info@newworks.dk**.

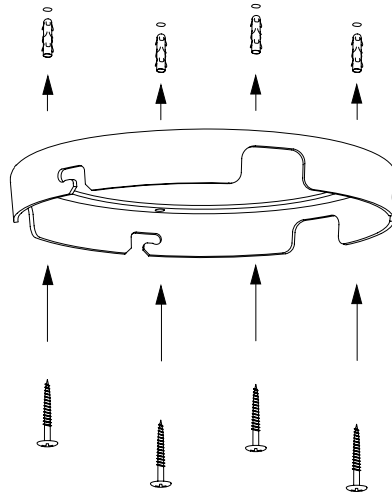
NEW WORKS.

Assembly & Care Guide

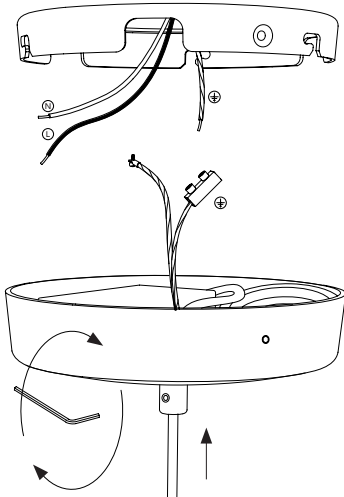
Tense Pendant



1. Place the ceiling fitting in the desired position, use a pencil to mark the drilling holes.

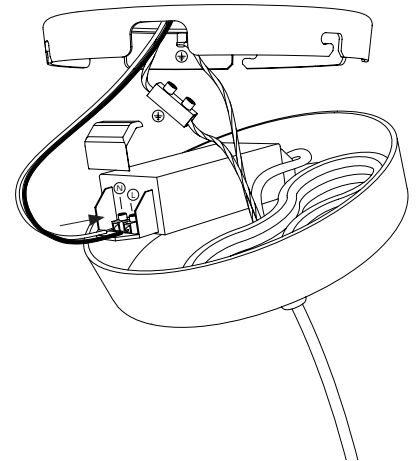
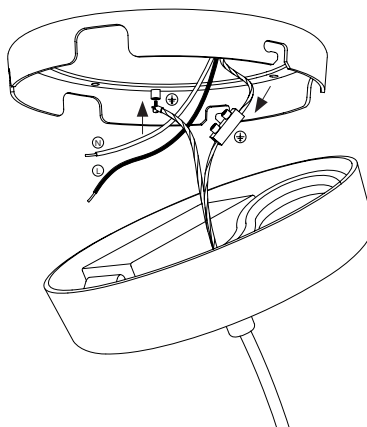


2. Drill holes. make sure to use plugs and screws matching the ceiling material. Now mount the ceiling fitting.

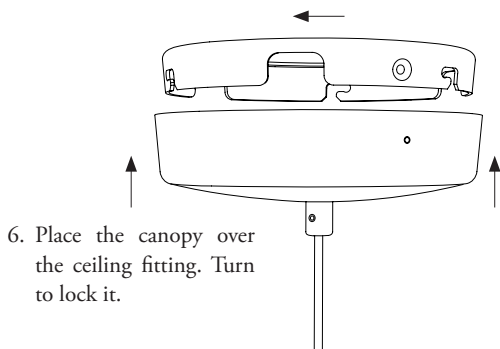


3. Use two fingers to adjust the length of the cord by pushing up or downwards. Roll up the excess cord and place it inside the canopy. Use the Large Hex-key included to secure it.

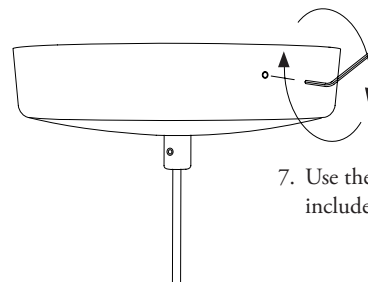
4. Connect the earth cable with the loop to the ceiling frame, and the earth cable with the terminal to the earth cable coming out of the ceiling.



5. To install cables, remove the green cap, then install both cables, natural (N) and live (L). Mount the cap back on the driver.



6. Place the canopy over the ceiling fitting. Turn to lock it.



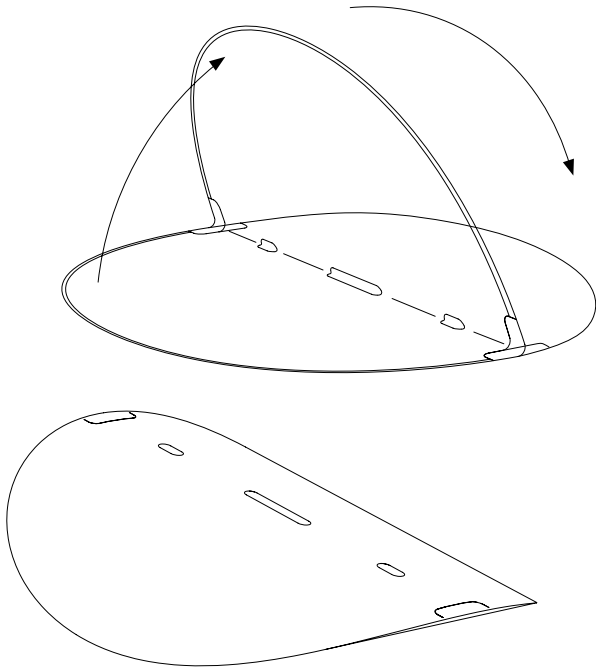
7. Use the small Hex-key included to secure it.

NEW WORKS.

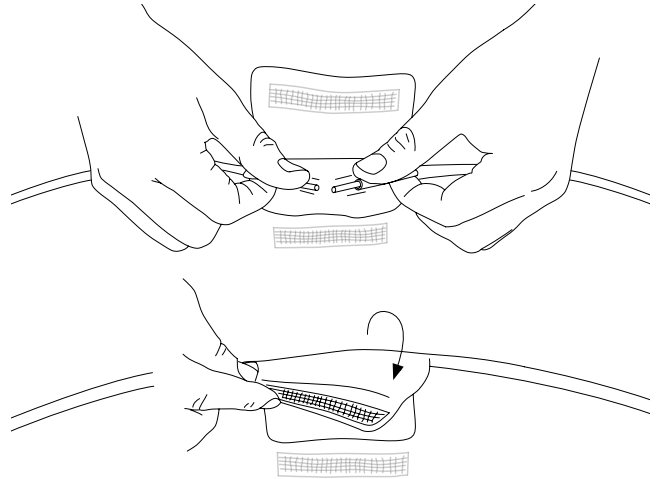
Assembly & Care Guide

Tense Pendant

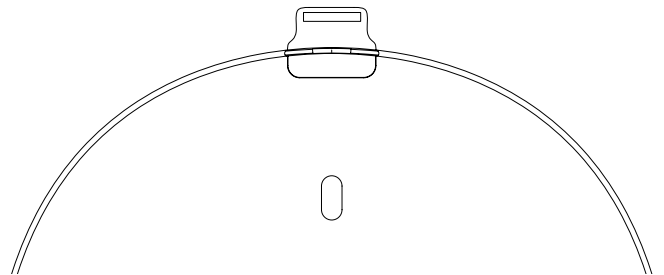
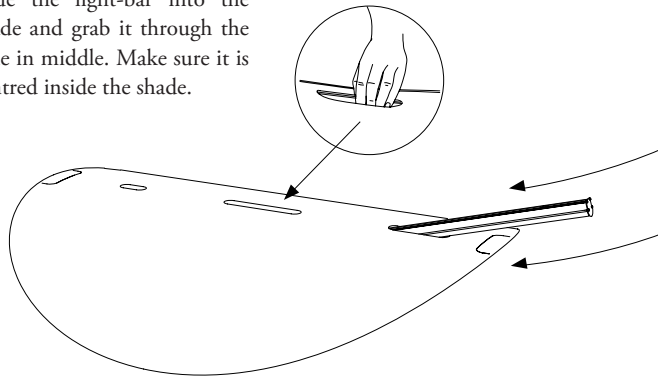
1. Unfold the shade on a flat surface.



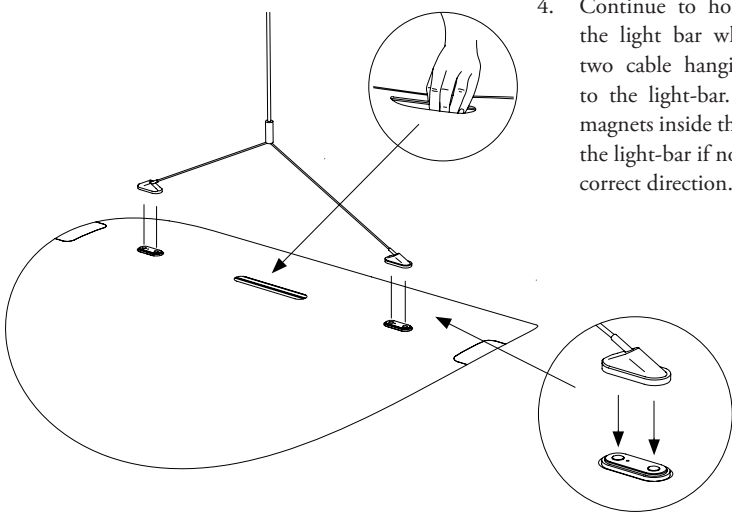
2. Remove the black cap on the end of the rod and push back the black tube, press both ends against each other and slides the tube over the joint to stabilize the frame of the shade. Fold the lid over the joint and inside the hole to close it.



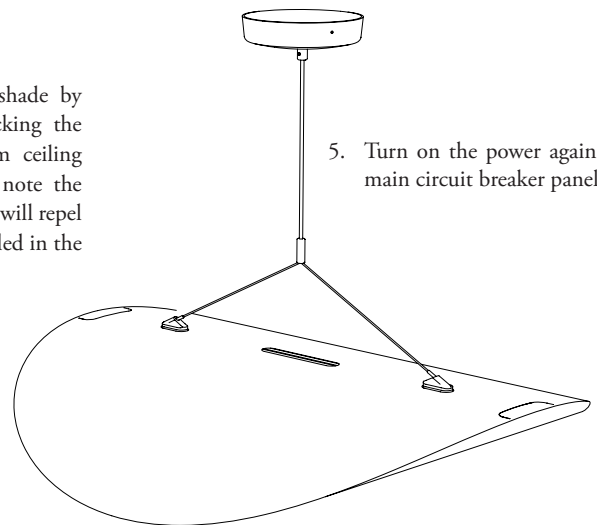
3. Slide the light-bar into the shade and grab it through the hole in middle. Make sure it is centred inside the shade.



4. Continue to hold the shade by the light bar while clicking the two cable hanging from ceiling to the light-bar. please note the magnets inside the plugs will repel the light-bar if not installed in the correct direction.



5. Turn on the power again at main circuit breaker panel.



NEW WORKS.